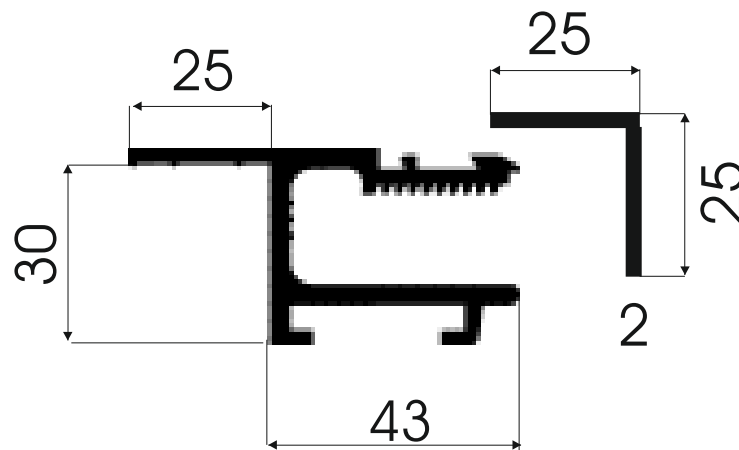
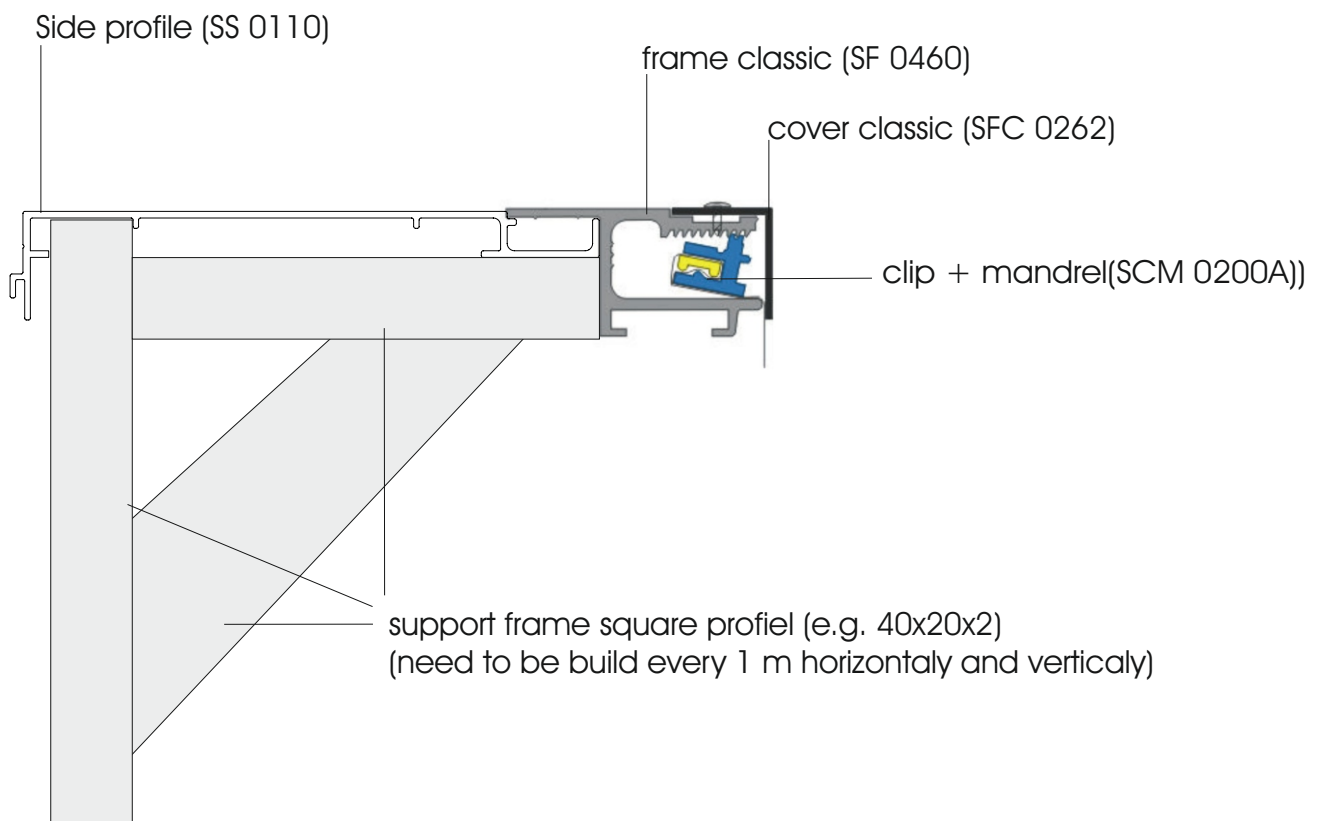


Tensioning Frame Classic



Sketch for a single-sided billboard with frame Classic



The fabric is tensioned with the help of the clips and the mandrels in the frame. You should begin with hanging in the fabric in the top of the box, afterwards the sides are tensioned. When the fabric is without any wrinkles the bottom edge is tensioned.